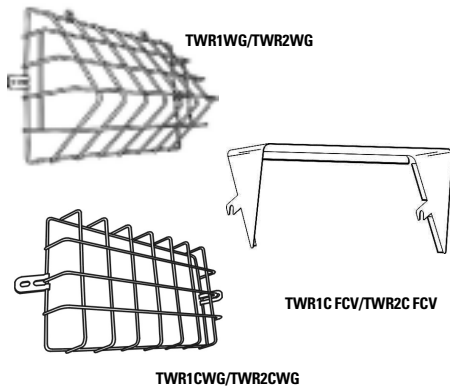


INSTALLATION INSTRUCTIONS

Upon receipt of fixture, thoroughly inspect for any freight damage which should be brought to the attention of the delivery carrier. Compare the catalog description listed on the packing slip with the fixture label on the inside of the housing to be sure you have received the correct merchandise.

TWR1/TWR2 Series TWR1C/TWR2C Series Accessories



IMPORTANT SAFETY INSTRUCTIONS

(For your protection and to avoid electrical shock, read carefully.)

- This fixture must be wired in accordance with the National Electrical Code and applicable local codes and ordinances.
- Proper grounding is required to ensure personal safety.
- Use approved connectors for all electrical connections.
- This fixture is for outdoor use and should not be used in areas with limited ventilation or high ambient temperatures.
- Follow all instructions and warnings listed on fixture labels.
- ALL work should be done by a qualified electrician.
- **WARNING:** NEVER attempt any maintenance of the fixture or disconnect any component while power supply is engaged. Make sure power supply is off before servicing fixture.

Prior to Installation

Read carefully before installing light fixtures. If you do not understand these instructions, please contact your local Lithonia distributor before installing.

INSTALLATION

TWR1WG/TWR2WG

CONTENTS:

- (2) Small clips
- (2) Large clips
- (2) Screws
- (1) Wire Guard

1. Empty hardware bag and check contents.
2. Install the small clips onto the wire guard so clip holes are facing away from the fixture. Make sure the holes in the clips line up with the pretapped holes located on the doorframe.
3. Install the two long clips on the wire guard so that the slot on the clip is facing away from the fixture. Make sure the slot lines up with the screw head that is located on each side of the fixture.
4. Open the front cover to the fixture by loosening the two closing screws.
5. On the inside of the cover, locate one of the two clips that hold the glass in place and remove the nut and screw. Do not discard parts.
6. Install the screw that was just removed through the wire guard clip slot, the hole in the front cover and the clip that holds the glass. Reinstall the nut.
7. To install the remaining long clip, repeat steps 5 and 6 on the other side of the open front cover.

TWR1CWG/TWR2CWG

1. Attach clips (provided in hardware bag) to both sides of wireguard, placing them in the middle (refer to picture at left for correct placement).
2. Remove screws from front cover assembly.
3. Make sure that the narrow end of wireguard goes towards the top of the housing.
4. Install wireguard to front cover assembly, re-install screws and nut, tighten.

TWR1C FCV/TWR2C FCV

1. Loosen the two screws on each side of the front cover assembly. Do not remove the screws from the fixture completely.
2. Install full cutoff visor to front cover assembly by hooking the visor to the screw on each side of the fixture. Make sure the visor is between the rubber washer and the metal washer, then tighten.